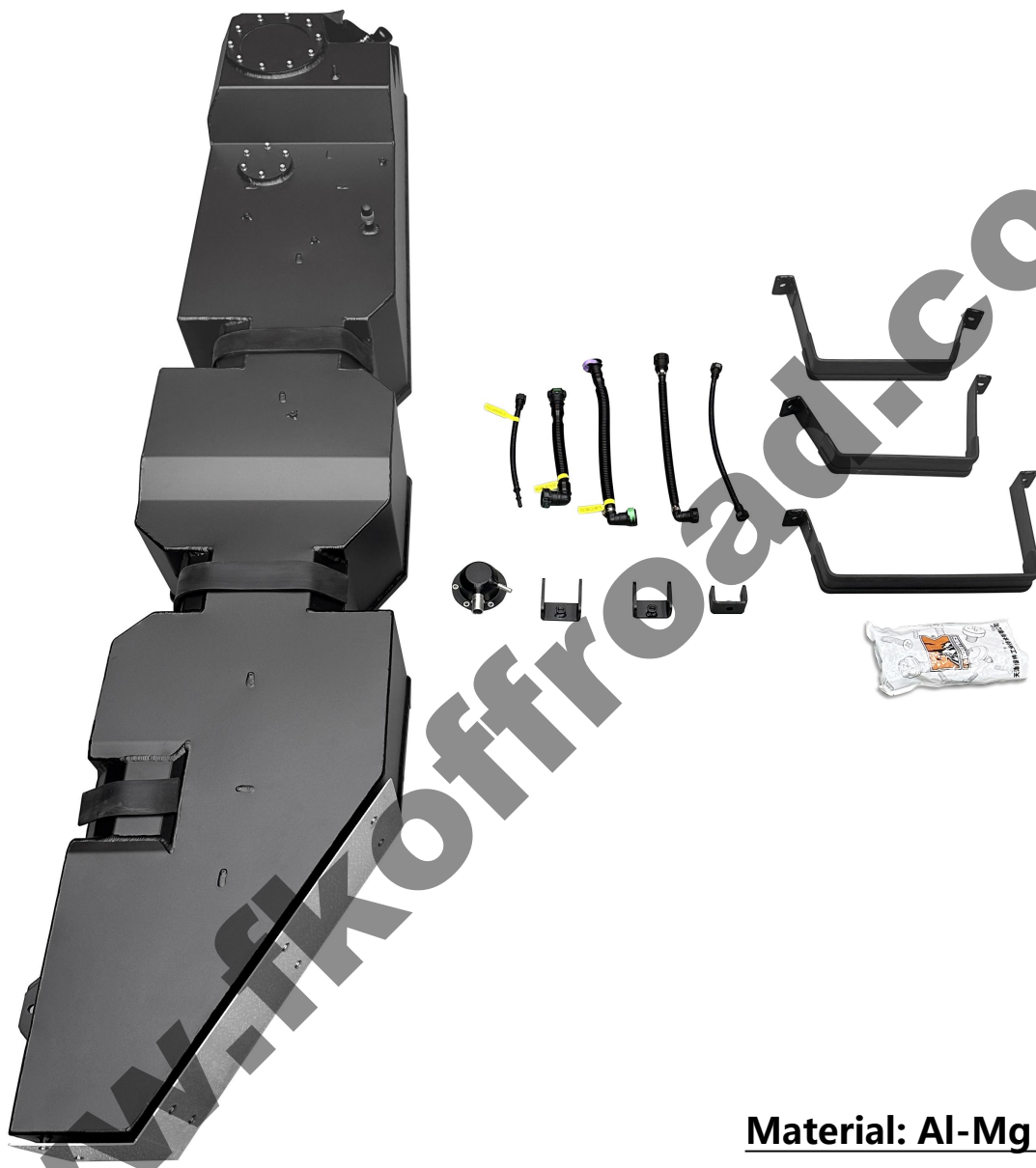


# Tundra Main Fuel Tank(165L)

---

---



**Material: Al-Mg Alloy**

**Tank Capacity: 165L**

---

---

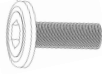
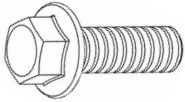

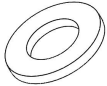

- **Website:** [fkoffroad.com](http://fkoffroad.com)
- **Email:** [fkindustries01@gmail.com](mailto:fkindustries01@gmail.com)
- **Phone:** +86 177 0115 5098 (Whatsapp available)
- **Address:** No.3 Tongda Road, Dongmaquan Town, Wuqing District, Tianjin, China



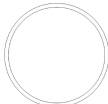
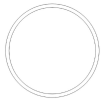

For technical support or additional product information, please contact our customer service team.

# Tundra Main Fuel Tank(165L)

## Hardware Kit:

Part Illustration	Specification	Qty	Unit
Stainless steel countersunk hexagon socket screw: 	6mm x 8mm	4	pcs
Bolt: 	6mm x 25mm	1	pc
	8mm x 25mm	10	pcs
	8mm x 30mm	3	pcs
	10mm x 30mm (fine thread)	3	pcs
	10mm x 30mm	3	pcs
Nut: 	8mm	6	pcs
Washer: 	6mm x 22mm	1	pc
	8mm x 22mm	13	pcs
	10mm x 25mm	6	pcs
Nut Tab: 	8mm	4	pcs
Hardware Kit Part Number:25F3888B-09			

## Installation Accessories:

Fuel Pump Housing O-Ring Seal(Spare): 	OD 145mm x Wire Dia.5mm	1	pc
Vent Valve O-Ring Seal: 	OD 70mm x Wire Dia.3mm	1	pc
Heavy Duty Screw-Mount Cable Tie: 		4	pcs

- **Website:** [fkoffroad.com](http://fkoffroad.com)
- **Email:** [fkindustries01@gmail.com](mailto:fkindustries01@gmail.com)
- **Phone:** +86 177 0115 5098 (Whatsapp available)
- **Address:** No.3 Tongda Road, Dongmaquan Town, Wuqing District, Tianjin, China



For technical support or additional product information, please contact our customer service team.