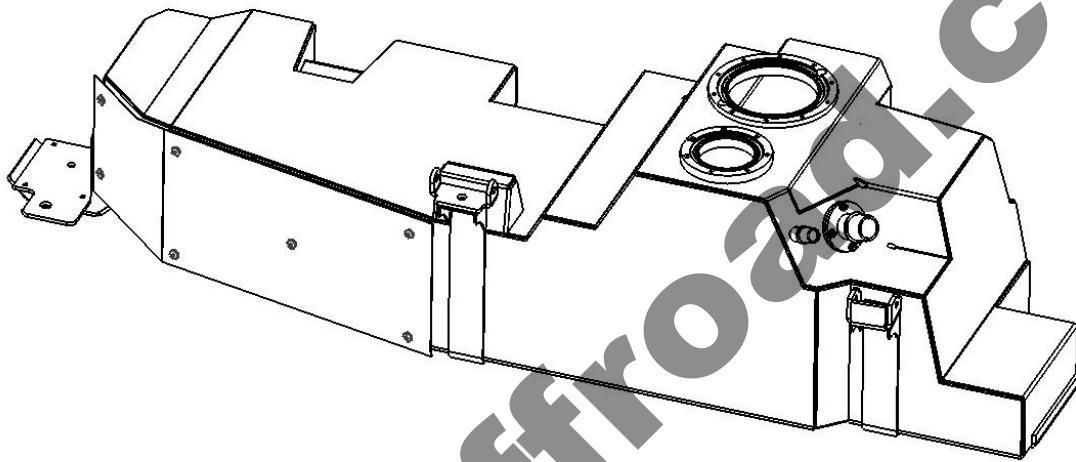


LC250H Main Fuel Tank(110L)



Material: Al-Mg Alloy

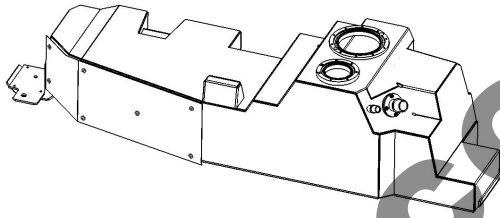
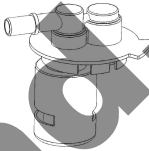

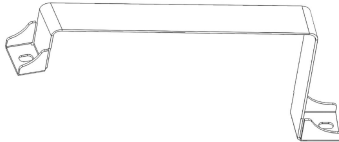

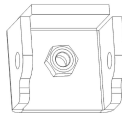

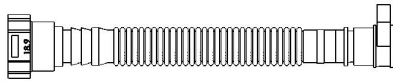
Tank Capacity: 110L

- **Website:** fkoffroad.com
- **Email:** fkindustries01@gmail.com
- **Phone:** +86 177 0115 5098 (Whatsapp available)
- **Address:** No.3 Tongda Road, Dongmaquan Town, Wuqing District, Tianjin, China



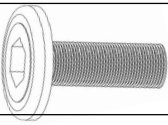
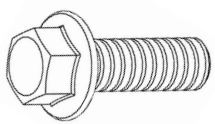
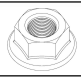


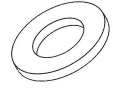



For technical support or additional product information, please contact our customer service team.

LC250H Main Fuel Tank(110L)

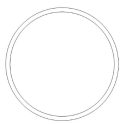
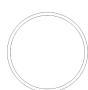

NO.	Part Name Part No.	Part Illustration	Qty
1	Main Fuel Tank Body		1
	25F3802-01		
2	Fuel Tank Rollover Vent Valve		1
	25T-A		
3	Middle Strap		1
	25F3802-02		
4	Rear Strap		1
	25F3802-03		
5	Middle Strap Mount		1
	25F3802-04		
6	Rear Strap Mount		1
	25F3802-05		
7	Vapor Canister Vent Hose		1
	25G3802-B		
8	Main Tank Vent Hose		1
	25G3802-C		

LC250H Main Fuel Tank(110L)

Hardware Kit:

Part Illustration	Specification	Qty	Unit
Stainless Steel Button Head Hex Socket Screw: 	6mm x 8mm	2	Pcs
Bolt: 	8mmx25mm	4	pcs
	10mm x 30mm(fine thread)	2	pcs
	10mm x 30mm	4	pcs
Nut: 	8mm	4	pcs
Bolt Plate: 	10mm	1	pc
Nut Tab: 	10mm	1	pc
Washer: 	8mm x 25mm	4	pcs
	10mm x 25mm	6	pcs
Flexible Conduit: 	ID 10mm x L 610mm	1	pc
Chassis Beam Rubber Pad: 	T 5mm x W 50mm x L 40mm	2	pcs
Chassis Beam Rubber Pad: 	T 5mm x W 50mm x L 130mm	3	pcs
Hardware Kit Part Number:25F3802-06			

Assembly Parts Kit:

Fuel Pump Housing O-Ring Seal(Spare): 	OD 145mm x Wire Dia. 5mm	1	pc
Vent Valve O-Ring Seal: 	OD 90mm x Wire Dia. 3mm	1	pc
Heavy Duty Screw-Mount Cable Tie: 	M6	2	Pcs