

Jeep JL Main Fuel Tank (118L)



Material: Al-Mg Alloy

Tank Capacity: 118L



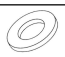
- **Website:** fkoffroad.com
- **Email:** fkindustries01@gmail.com
- **Phone:** +86 177 0115 5098 (Whatsapp available)
- **Address:** No.3 Tongda Road, Dongmaquan Town, Wuqing District, Tianjin, China




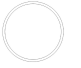
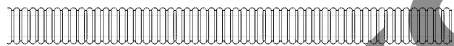
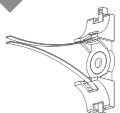
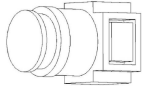
For technical support or additional product information, please contact our customer service team.

Jeep JL Main Fuel Tank (118L)

Hardware Kit:

Part Illustration	Specification	Qty	Unit
Bolt: 	12mm x 30mm	5	pcs
Stainless Steel Button Head Hex Socket Screw: 	6mm x 8mm	1	pc
Washer: 	12mm x 25mm	5	pcs
Hardware Kit Part Number: 25F5366-04			

Installation Accessories:

Fuel Pump Housing O-Ring Seal(Spare): 	OD147mm x Wire Dia. 6mm	1	pc
Vent Valve O-Ring Seal: 	OD 70mm x Wire Dia. 3mm	1	pc
Flexible Conduit: 	ID 10mm x L 1.5m	1	pc
	ID 16mm x L 1.6m	1	pc
	ID 16mm x L 500mm	1	pc
Aluminum Spacer:	14mm x 34mm x 8mm	1	pc
Heavy Duty Dual Screw-Mount Cable Tie: 	6mm	1	pc
Quick Connect Fuel Line Plug: 	7.89/7.95	1	pc
	15.82	1	pc

- **Website:** fkoffroad.com
- **Email:** fkindustries01@gmail.com
- **Phone:** +86 177 0115 5098 (Whatsapp available)
- **Address:** No.3 Tongda Road, Dongmaquan Town, Wuqing District, Tianjin, China



For technical support or additional product information, please contact our customer service team.