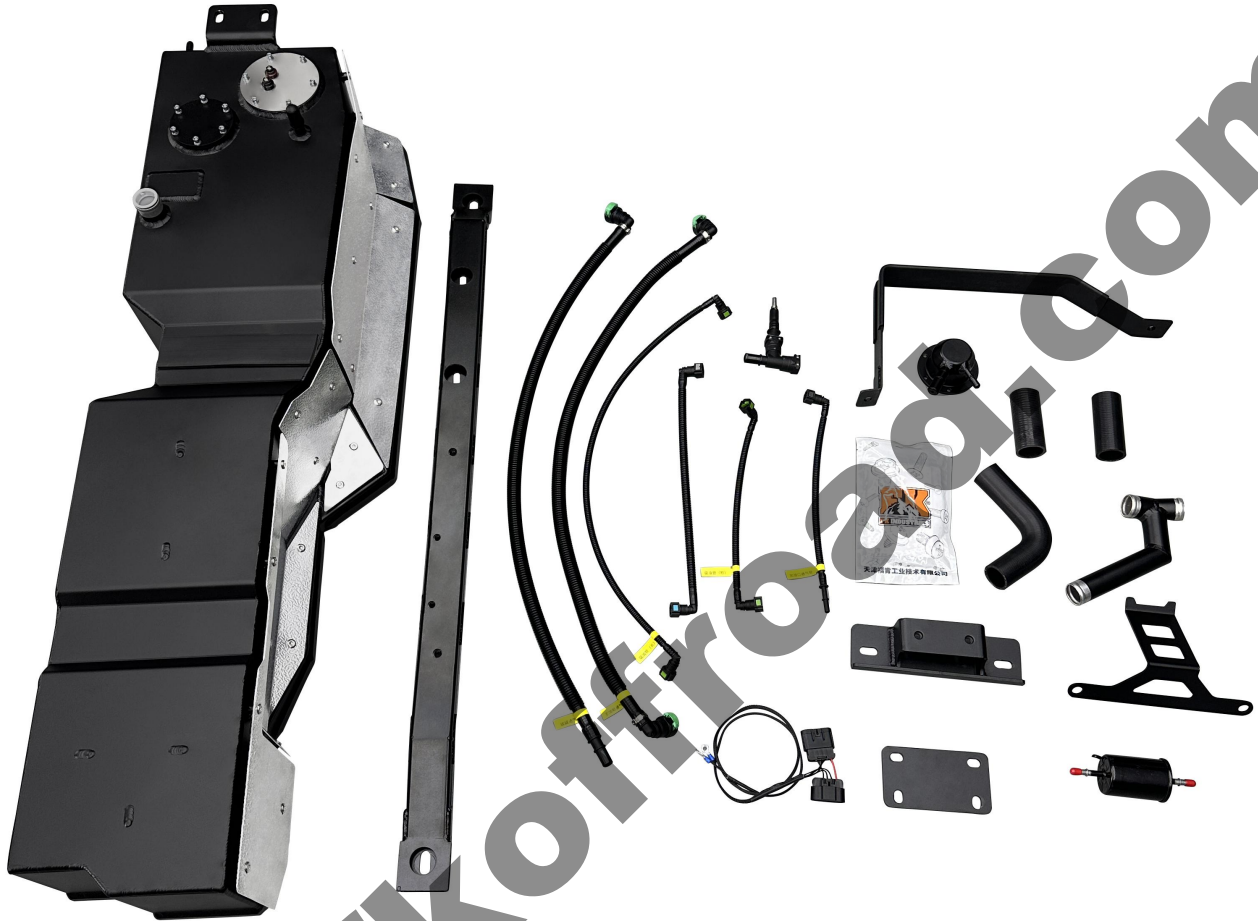


# Jeep JL Aux Fuel Tank (69L)

---

---



**Material: Al-Mg Alloy**

**Tank Capacity: 69L**

---

---

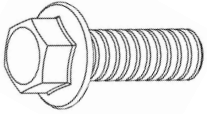
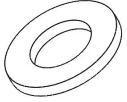

- **Website:** [fkoffroad.com](http://fkoffroad.com)
- **Email:** [fkindustries01@gmail.com](mailto:fkindustries01@gmail.com)
- **Phone:** +86 177 0115 5098 (Whatsapp available)
- **Address:** No.3 Tongda Road, Dongmaquan Town, Wuqing District, Tianjin, China





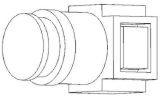
For technical support or additional product information, please contact our customer service team.

# Jeep JL Aux Fuel Tank (69L)

## Hardware Kit:

Part Illustration	Specification	Qty	Unit
Bolt: 	8mm x 25mm	2	Pcs
	10mm x 25mm	2	Pcs
	10mm x 30mm	2	Pcs
	12mm x 30mm	8	pcs
Washer: 	8mm x 25mm	2	pcs
	10mm x 25mm	4	pcs
	12mm x 25mm	8	pcs
Dual Nut Plate: 	8mm	1	pc
Hardware Kit Part Number: 24F5366-07			

## Installation Accessories:

Clamp: 	32-51mm	3	pcs
	40-60mm	1	pc
	44-64mm	1	pc
Vent Valve O-Ring Seal: 	OD 70mm x Wire Dia. 3mm	1	pc
Quick Connect Fuel Line Plug: 	7.89/7.95	1	pc
	15.82	1	pc

- **Website:** [fkoffroad.com](http://fkoffroad.com)
- **Email:** [fkindustries01@gmail.com](mailto:fkindustries01@gmail.com)
- **Phone:** +86 177 0115 5098 (Whatsapp available)
- **Address:** No.3 Tongda Road, Dongmaquan Town, Wuqing District, Tianjin, China



For technical support or additional product information, please contact our customer service team.