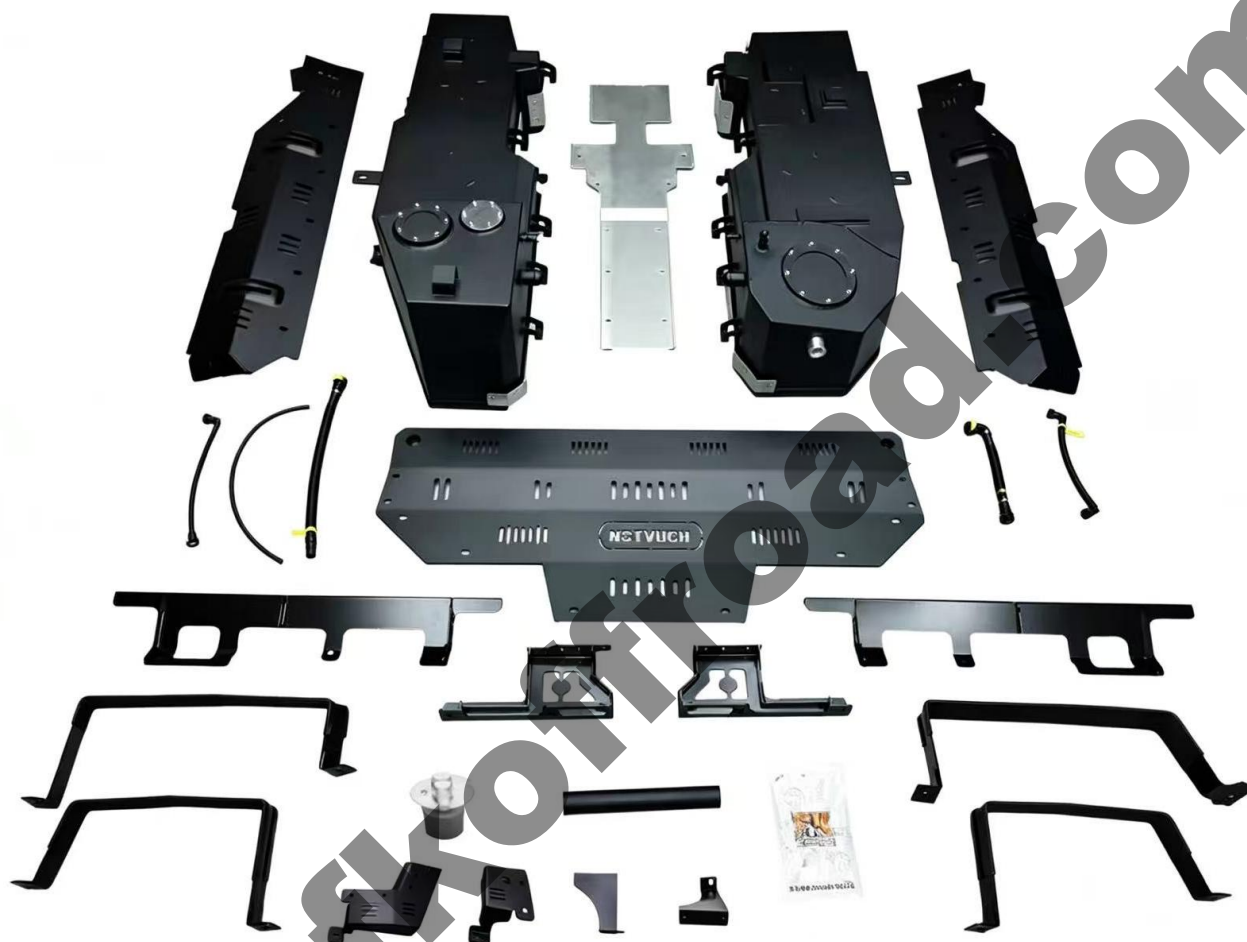


DEFENDER 110 FUEL TANK (183L)



Material: Al-Mg Alloy

Tank Capacity: 183L

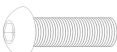
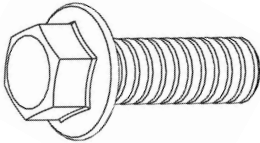
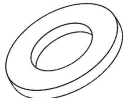
- **Website:** fkoffroad.com
- **Email:** fkindustries01@gmail.com
- **Phone:** +86 177 0115 5098 (Whatsapp available)
- **Address:** No.3 Tongda Road, Dongmaquan Town, Wuqing District, Tianjin, China








For technical support or additional product information, please contact our customer service team.

DEFENDER 110 FUEL TANK (183L)

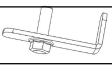
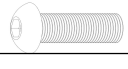



Hardware Kit:

Part Illustration	Specification	Qty	Unit
Hex Socket Head Screw: 	8mm x25mm (black)	30	pcs
Bolt: 	6mm x 20mm	12	pcs
	6mm x 30mm	2	pcs
	8mm x 30mm	5	pcs
	10mm x 30mm	13	pcs
	10mm x 50mm	4	pcs
Washer: 	6mm x 25mm	14	pcs
	8mm x 25mm	5	pcs
	8mm x 20mm (black)	34	pcs
	10mm x 25mm	16	pcs
Hardware Kit Part Number:25F5494-13			

Installation Accessories:

Clamp: 	32-44mm	2	pcs
Fuel Pump Housing O-Ring Seal (Spare): 	OD 147mm x Wire Dia.6mm	1	pc
Cable Tie Clip: 		5	pcs
Vent Valve O-Ring Seal: 	OD 90mm x Wire Dia.3mm	1	pc
Flexible Conduit: 	ID 8mm L 1.5m	1	pc

Skid Plate Hardware Kit:

Bolt Plate: 	8mm x 25mm	2	pcs
Stainless Steel Hex Socket Screw: 	8mm x25mm (black)	6	pcs
Nut: 	8mm	4	pcs
Bolt Tab: 	8mm	2	pcs
Washer: 	8mm x 20mm (black)	10	pcs