

# Skid Plate System Installation Manual

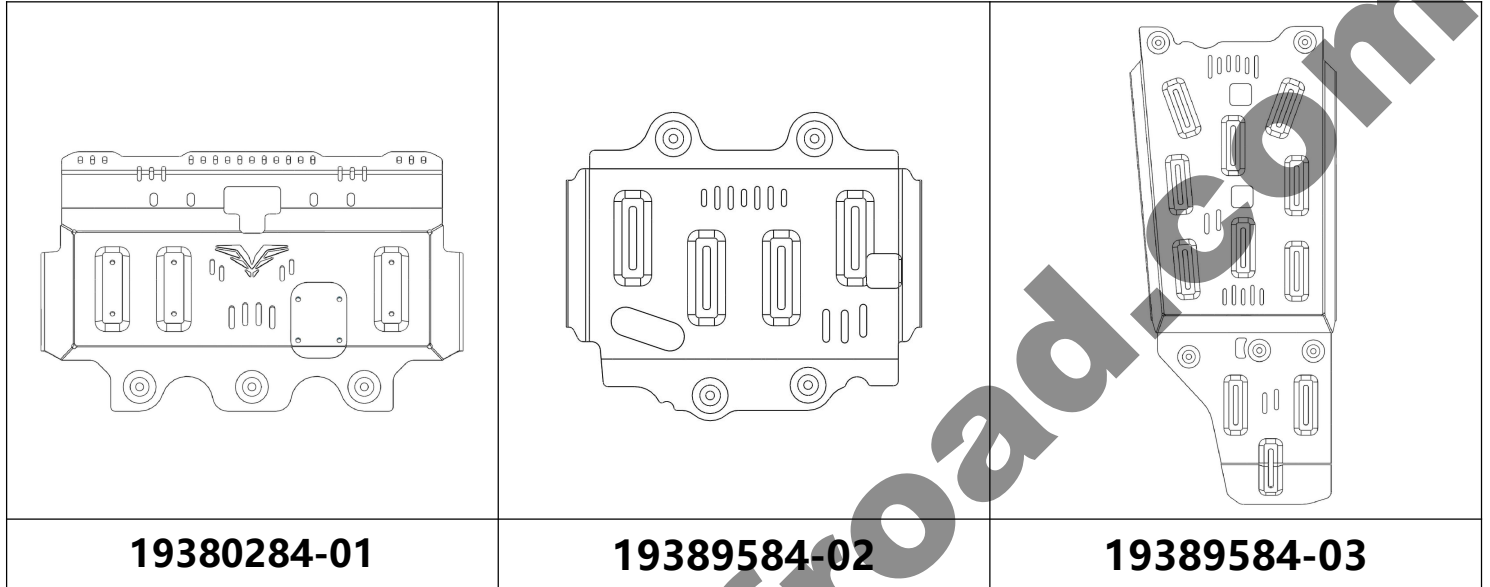
**Brand:** FK Industries

**Product :** FK Al-Mg Alloy Skid Plate System|TOYOTA Land Cruiser 250 Hybrid(2024-Present)

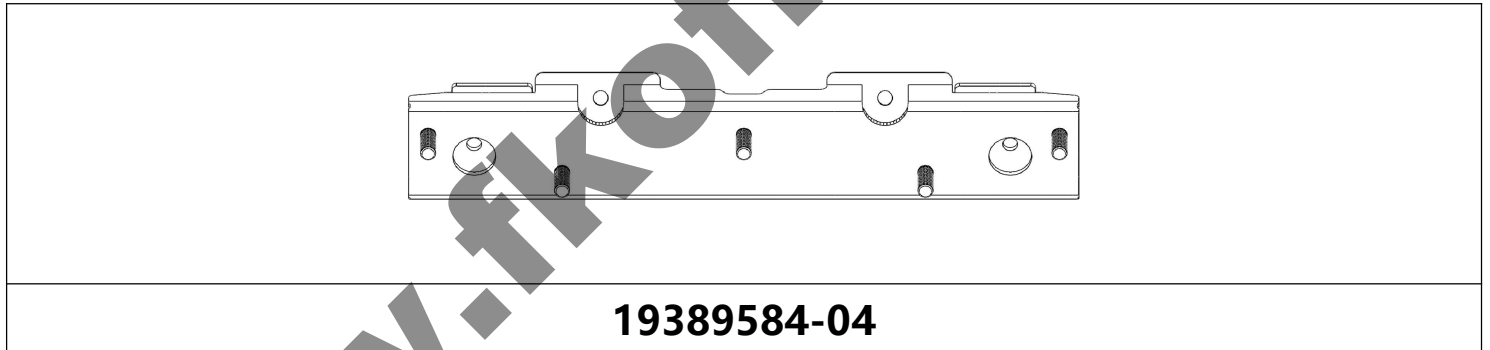
**Compatible Vehicle Models:** TOYOTA Land Cruiser 250 Hybrid

**Product Number:** 8119380284

## Skid Plates:



## Brackets:

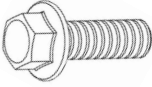


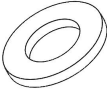

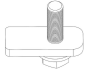



- **Website:** [fkoffroad.com](http://fkoffroad.com)
- **Email:** [fkindustries01@gmail.com](mailto:fkindustries01@gmail.com)
- **Phone:** +86 177 0115 5098 (Whatsapp available)
- **Address:** No.3 Tongda Road, Dongmaquan Town, Wuqing District, Tianjin, China



For technical support or additional product information, please contact our customer service team.

## Hardware Kit

Part Diagram	Specification	Qty	Unit
Bolt: 	8mm x 30mm	11	Pcs
	10mm x 30mm	2	Pcs
Nut: 	8mm	2	Pcs
	10mm	5	Pcs
Bolt Tab: 	8mm x 25mm	1	Pc
Washer: 	8mm x 25mm	13	Pcs
	10mm x 25mm	7	Pcs
Nut Tab: 	10mm	1	Pc
Bolt Plate: 	8mm x 30mm	1	Pc
Threaded Block Strip: 	10mm	1	Pc
Hardware Kit Part Number: 19380284-05			

## Tools Required

Tool	Specification
Socket Wrench	10mm 13mm

- **Website:** [fkoffroad.com](http://fkoffroad.com)
- **Email:** [fkindustries01@gmail.com](mailto:fkindustries01@gmail.com)
- **Phone:** +86 177 0115 5098 (Whatsapp available)
- **Address:** No.3 Tongda Road, Dongmaquan Town, Wuqing District, Tianjin, China



For technical support or additional product information, please contact our customer service team.

## Safety Precautions

1. Always use jack stands when working under the vehicle. Do not rely solely on a jack.
2. Wear safety gloves and eye protection during installation.
3. Ensure the vehicle is on a flat and stable surface before lifting.
4. Do not overtighten bolts, as this may damage the skid plate or vehicle frame.

---

## Notes & Maintenance

1. Regularly inspect the skid plate for signs of wear or damage, especially after off-road use.
2. Clean the skid plate periodically to remove dirt and debris that may cause corrosion.
3. If any bolts become loose over time, retighten them to the specified torque values.

---

## Torque Specifications for Bolts

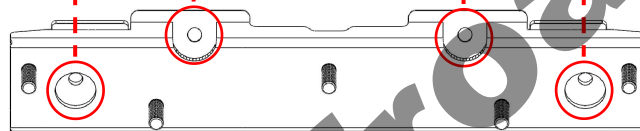
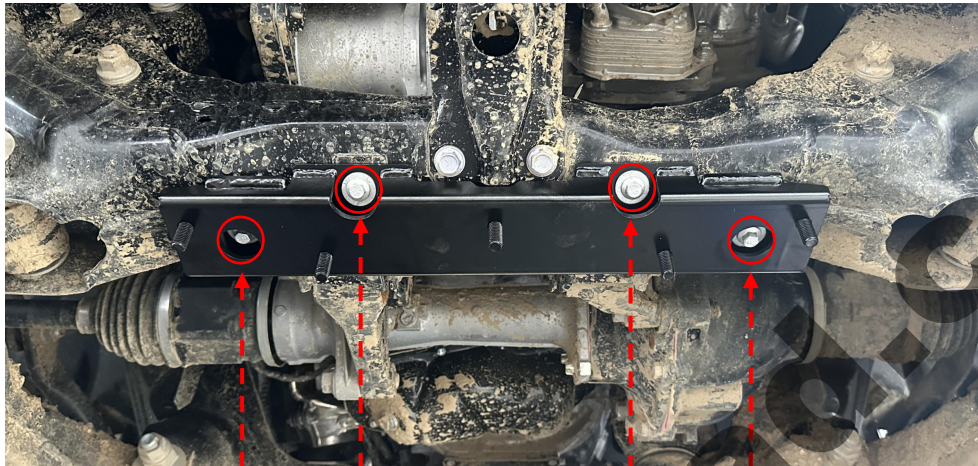
Bolt Size	Torque Range (Nm)
M8 Bolts	35-45 Nm
M10 Bolts	70-90 Nm
M12 Bolts	110-130 Nm
M14 Bolts	150-170 Nm
<b>Adjust within the range based on tool accuracy</b>	

- **Website:** [fkoffroad.com](http://fkoffroad.com)
- **Email:** [fkindustries01@gmail.com](mailto:fkindustries01@gmail.com)
- **Phone:** +86 177 0115 5098 (Whatsapp available)
- **Address:** No.3 Tongda Road, Dongmaquan Town, Wuqing District, Tianjin, China



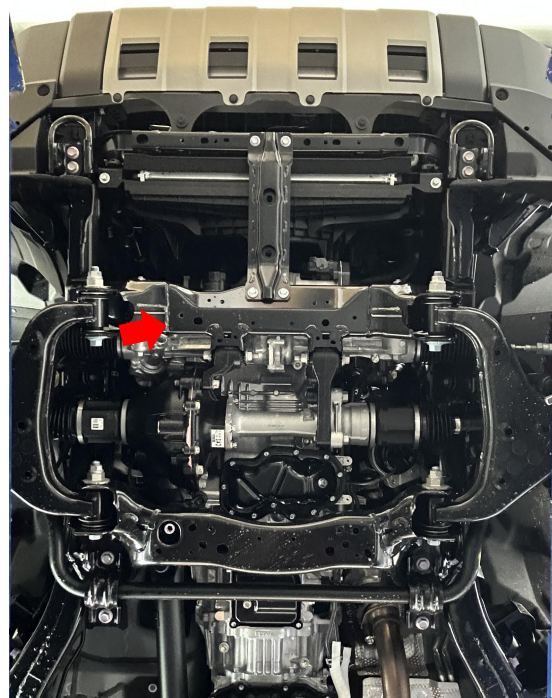
For technical support or additional product information, please contact our customer service team.

# Bracket Installation

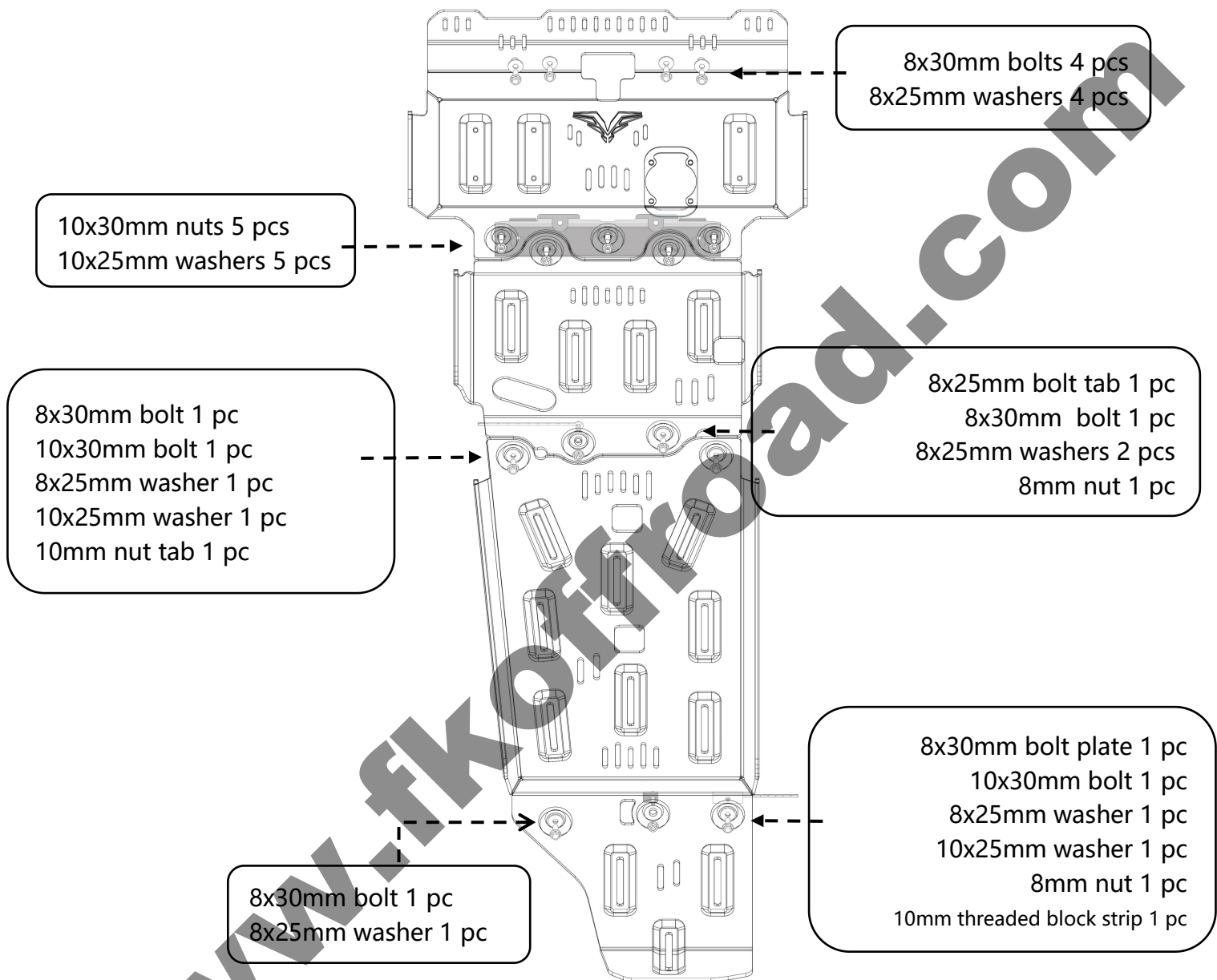


8x30mm bolts 4 pcs  
8x25mm washers 4 pcs

Post-Installation



# Skid Plate Installation



- **Website:** [fkoffroad.com](http://fkoffroad.com)
- **Email:** [fkindustries01@gmail.com](mailto:fkindustries01@gmail.com)
- **Phone:** +86 177 0115 5098 (Whatsapp available)
- **Address:** No.3 Tongda Road, Dongmaquan Town, Wuqing District, Tianjin, China



For technical support or additional product information, please contact our customer service team.